

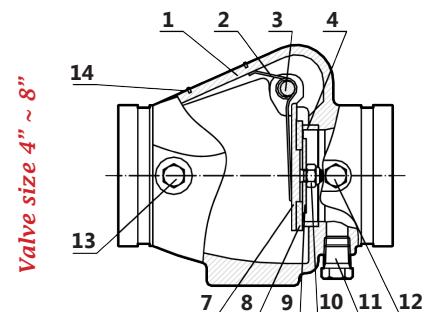
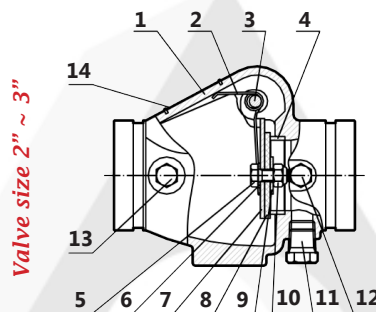
VÁLVULA DE RETENCIÓN RANURADA CVG01

Style CVG01 Grooved-end Swing Check Valve provided by Triflo™ is a product developed under innovative engineering and rich experiences. CVG01 is an UL/cUL listed and FM approved non-return valve which permits water flow in one direction and prevents flow in reverse direction. This function is realized by a spring loaded stainless steel clapper with an EPDM rubber facing and a broadened bronze seat, to provide a long service time and leak-free sealing. It is widely used with various configurations in fire sprinkler systems, fire department connections, gravity pressure tank or by-pass connections etc.



PRODUCT FEATURES

- Rated working pressure 365psi/25bars by UL/ULC listing and FM approval.
- Can be installed in both vertical (upward flow only) and horizontal positions.
- One design with "Shotgun" arrangement.
- Drains can be optionally provided both upstream and downstream of the clapper.
- Innovative hydro-dynamically efficient profile lowers pressure drop.
- Sealing achieved by a low head pressure of 0.15bar (2psi).
- All wetted parts made by anti-corrosion material to provide superior service time.
- Grooved end conforming to AWWA C606 for easy installation and maintenance.



Part	Specification
1. Body	Ductil iron ASTM A 536
2. Spring	Stainless steel 304
3. Hinge Pin	Stainless steel 304
4. Seat	Bronze
5. Bolt	Stainless steel 304 (2"~3")
6. Gasket	EPDM Rubber (2"~3")
7. Clapper	CF8 (Stainless steel 304)

Part	Specification
8. Facing Seal	EPDM Rubber
9. Clamping ring	Stainless steel 304
10. Locknut	Stainless steel 304
11. Plug 1/2" NPT	Carbon steel
12. Plug 1/4" NPT	Carbon steel
13. Plug 1/4" NPT	Carbon steel (1/2"NPT optional)
14. Name plate	Stainless steel 304

REF: VRTR_062022_REVO

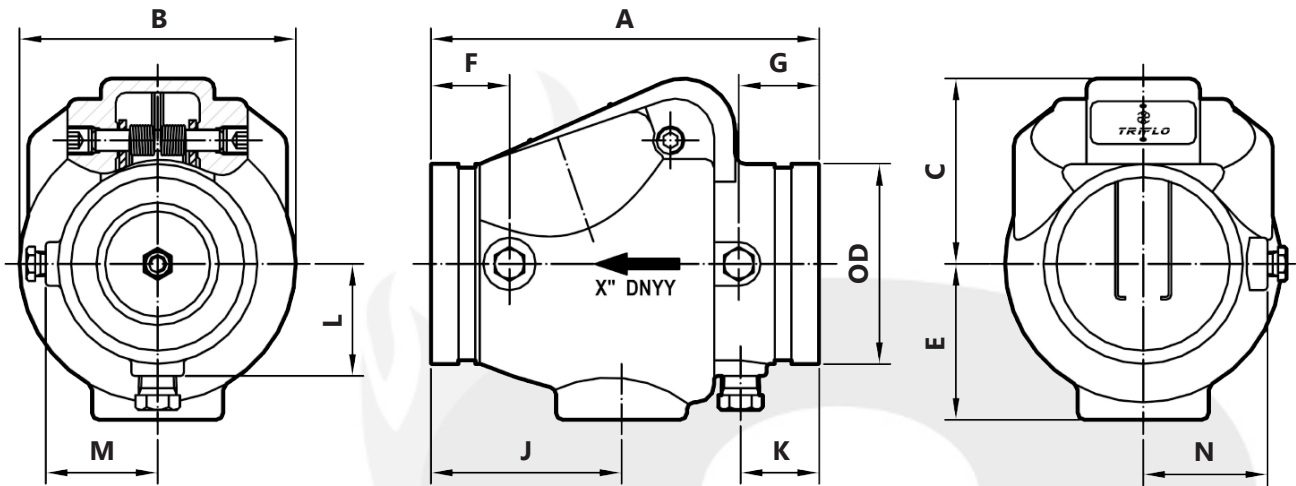
AQL PROTECCION

Carretera N-340 Km 1245, 3 Nave B-5 Polígono industrial El Pla 08750 Molins de Rei, Barcelona (España)
Tel. (+34) 936800376 * WhatsApp pedidos: 660781482 * www.aqlproteccion.com * aql@aqlproteccion.com

ANBER

Avda. de las Flores, 13-15 P.E. El Molino 28970 Humanes de Madrid, Madrid (España)
Tel. (+34) 916063711 * WhatsApp pedidos: 649787619 * www.anber.es * anber@anber.es

DIMENSIONS



Nominal Size		Pipe OD	A	B	C	E	F	G	J	K	L	M	N	Wt.
DN	In.	mm	mm	mm	mm	mm	mm	mm	mm	mm	mm	mm	mm	kg
50	2"	60,3	170	100	72	60	43	44	79	43	38	38	47	2,5
65	2 1/2"	76,1	184	114	78	67	43	44	85	43	45	45	51	3,9
80	3"	88,9	196	128	88	73	43	44	94	43	51	51	57	5,2
100	4"	114,3	222	158	106	89	45	46	109	45	64	64	71	8,6
125	5"	139,7	248	189	117	104	45	46	129	45	77	77	83	12,4
150	6"	168,3	270	220	129	119	45	46	144	45	91	91	96	17,4
200	8"	219,1	330	274	152	146	51	54	182	52	116	116	120	32,0

CHECK VALVE PERFORMANCE DATE

Formulas for Kv Values:

$$\Delta P = \frac{Q^2}{K_v^2} \quad Q = K_v \times \sqrt{\Delta P}$$

Where:

Q = Flow rate (gallons per minute: m³/h).
 ΔP = Pressure drop across vale (bar).
 K_v = Flow coefficient.

Nominal Size		Pipe OD	Full open	
DN	In.	mm	Kv	Cv
50	2"	60,3	95	110
65	2 1/2"	76,1	138	160
80	3"	88,9	216	250
100	4"	114,3	380	440

Formulas for Kv Values:

$$\Delta P = \frac{Q^2}{C_v^2} \quad Q = C_v \times \sqrt{\Delta P}$$

Where:

Q = Flow rate (gallons per minute: m³/h).
 ΔP = Pressure drop across vale (bar).
 C_v = Flow coefficient.

Nominal Size		Pipe OD	Full open	
DN	In.	mm	Kv	Cv
125	5"	139,7	605	700
150	6"	168,3	864	1000
200	8"	219,1	1555	1800

REF: VRTR_062022_REVO

AQL PROTECCION

Carretera N-340 Km 1245, 3 Nave B-5 Poligono industrial El Pla 08750 Molins de Rei, Barcelona (España)
 Tel. (+34) 936800376 * WhatsApp pedidos: 660781482 * www.aqlproteccion.com * aql@aqlproteccion.com

ANBER

Avda. de las Flores, 13-15 P.E. El Molino 28970 Humanes de Madrid, Madrid (España)
 Tel. (+34) 916063711 * WhatsApp pedidos: 649787619 * www.anber.es * anber@anber.es